

PRODUCT DESCRIPTION

SPECTEC's Digital RF pickup produces a digital frequency output directly proportional to speed. The internal amplifier provides for constant pulse shaping, signal amplitude, near zero speed performance and good sensitivity (airgap).

A sanitary version is also offered.

Internal temperature probes and LEDs are available with all models, as noted below under options.

For Intrinsically Safe versions refer to bulletins: IS100 and IS101.

SPECIFICATIONS

V_s, Supply Voltage: 7 to 30 Vdc (Std.), or
@ ≤ 10 mA 3.5 to 5.5 Vdc
Reverse Polarity Protected

V_o, Signal Out: 0 – 10 V (Std.)
@ ≤ 20 mA sink 0 – 5 V (TTL)
or see Page 2

Frequency Range: ≥ 0.5 to ≤ 5000 Hz

Air Gap: ≤ .160"
Depending on target mass.

Rise/Fall Time: .04 / 0.18 μs

Temp. Range: STD: -40 to 248 F (-40 to 120 C)
HT: -49 to 284 F (-45 to 140 C)
RTD: -49 to 284 F (-45 to 140 C)
NTC: -40 to 248 F (-40 to 120 C)

Sensor Body: 303/304 S.S., Solid Epoxy Encapsulation

CE-Compliance: EN55011, EN50022-2

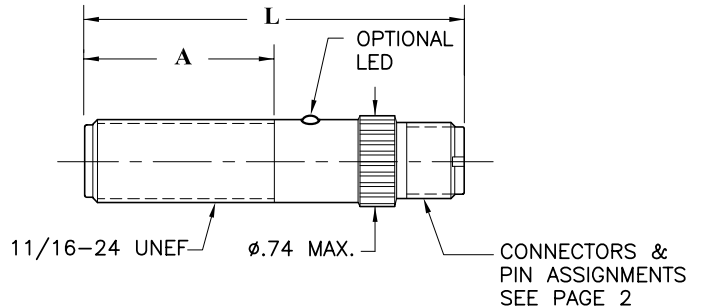
OPTIONS:

Custom configurations/enclosures,
Thread sizes, including metric,
Special materials of construction,
or others, please contact sales.

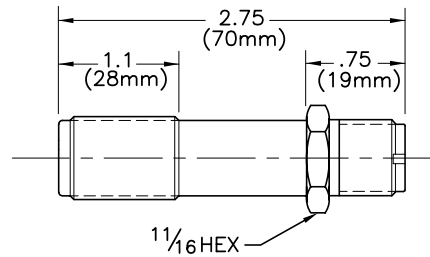
Standard Temperature Probes:

RTD100 Ohm ± .1%,
NTC10 k Ohm, ± .2° C,

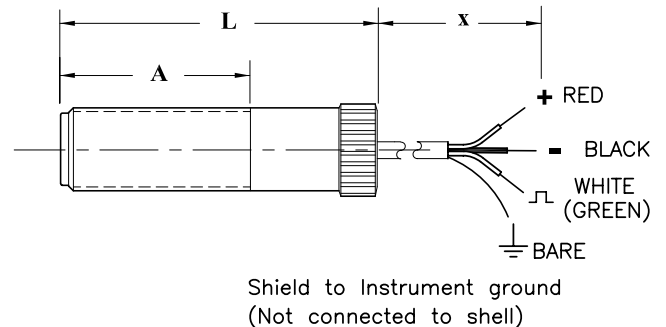
0097



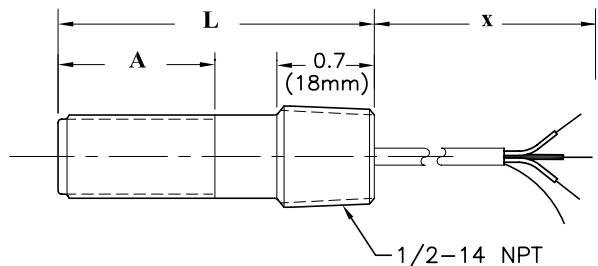
0097H



0098



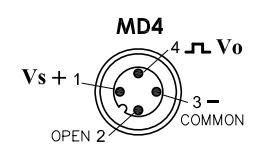
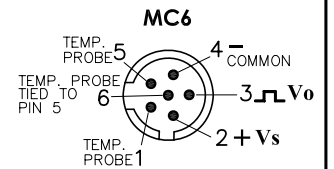
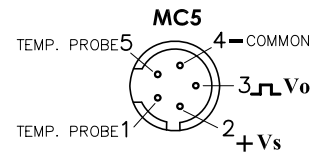
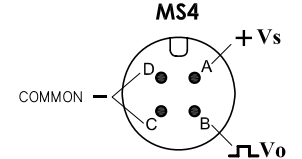
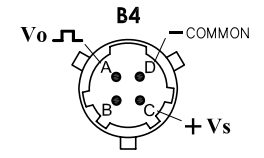
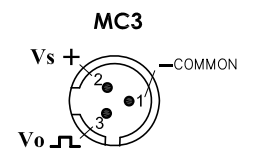
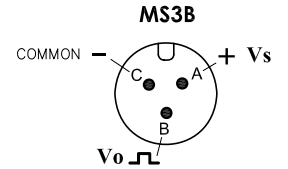
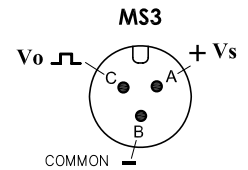
0098X



ORDER INFORMATION

0097 - 0 . 0 . 0 . 0 . 0 DIGISPEC RF PICKUP, 11/16-24 (CONNECTOR TYPE)
0097H -

Housing & Thread Length in. (mm) Face	0	A		L	
		1.1 (28mm)		2.8 (70mm)	
Vo/Vs	0	— STD FACE (EPOXY SEALED FOR GREATER SENSITIVITY)			
	1	— STAINLESS STEEL FACE (BLINDSHELL)			
	2	— HR, STD FACE, EXTENDED .270 DIA. x .10			
	7	— SANITARY CONSTRUCTION			
	1	— 0 to 5 V, NPN (6 kΩ), Vs 7 to 30 VDC			
	2	— 0 to 10 V, NPN (6 kΩ), Vs 11 to 30 VDC			
Temp. Range	3	— 0 to Vs, NPN (6 kΩ), Vs 7 to 30 VDC			
	4	— 0 to Vs, NPN (OC), Vs 7 to 30 VDC			
	8	— 0 to 5 V, NPN (6 kΩ), Vs 3.8 to 30 VDC			
	A	— LED, 0 to 5 V, NPN (6 kΩ), Vs 7 to 30 VDC			
Connector	1	— MS3: MS3102-10SL-3P (3 PIN)			
	2	— MC3: MICRO-C (3 PIN)			
	3	— MS3B: MS3102-10SL-3P (3 PIN)			
	4	— B4: MS3113-H8A-4P (4 PIN) (BAYONET - TWIST & LOCK TYPE)			
	5	— MC5: MICRO-C (5 PIN)			
	6	— MC6: MICRO-C (6 PIN)			
	7	— MD4: MICRO DIN (4 PIN)			
	9	— MS4: MS3102A-12SL-844P (4 PIN)			



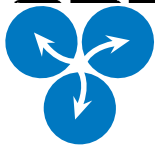
0098 - 0 . 0 . 0 . 0 . 0 DIGISPEC RF PICKUP, 11/16-24 (LEAD WIRE TYPE)
0098X -

Housing & Thread Length in. (mm)	0	A		L	
		0.9 (23mm)		1.8 (46mm)	
	1	1.1 (28)		2.3 (58)	
	2	1.8 (46)		3.0 (76)	

SAME AS 0097

Lead Wire	x	Type*	AWG
1	1' (.3m)	STD. LEADS	22
2	2' (.6m)		
A	1.5' (.5m)	SHIELDED CABLE	24
7	3' (1m)		
9	10' (3m)		

Note: For other model variations please contact sales.



PRODUCT DESCRIPTION

SPECTEC's Digital RF pickup produces a digital frequency output directly proportional to speed. The internal amplifier provides for constant pulse shaping, signal amplitude, near zero speed performance and good sensitivity (airgap).

A sanitary version is also offered.

Internal temperature probes are also available.

For Intrinsically Safe versions, refer to bulletins IS100 and IS101.

SPECIFICATIONS

Vs, Supply Voltage: 7 to 30 Vdc (Std.), or
@ ≤ 10 mA 3.8 to 30 Vdc
Reverse Polarity Protected

Vo, Signal Out: 0 - 10 V (Std.)
@ ≤ 20 mA sink 0 - 5 V (TTL)
or see Page 2

Frequency Range: ≥ 0.5 to ≤ 5000 Hz

Air Gap: ≤ .160"
Depending on target mass

Rise/Fall Time (N.L.): .04 / .18 μs

Temperature Range: STD: -40° to 248° F (-40° to 120° C)
HT: -49° to 284° F (-45° to 140° C)
or see page 2

Sensor Body: 303/304 S.S., Solid Epoxy Encapsulation

Connector: For pin assignments see Page 2

Lead Wires: Signal Cable Color Code:
Red: Supply +
Black: Common -
White: Signal Out
Green: Shield to instrument ground

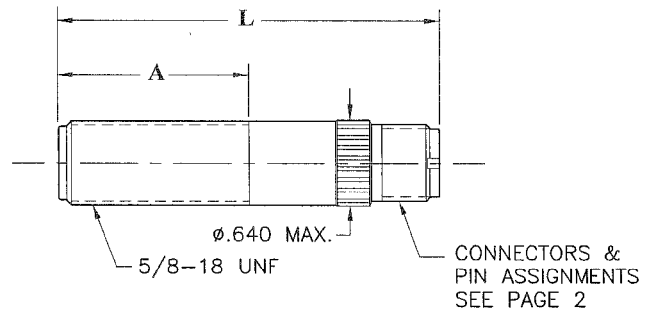
Temp. Sensor Color Code:
NTC: Red (x2)
RTD: Red (x1)
Black (x2) for leadwire compensation

Compliance: CE: EN55011, EN50022-2

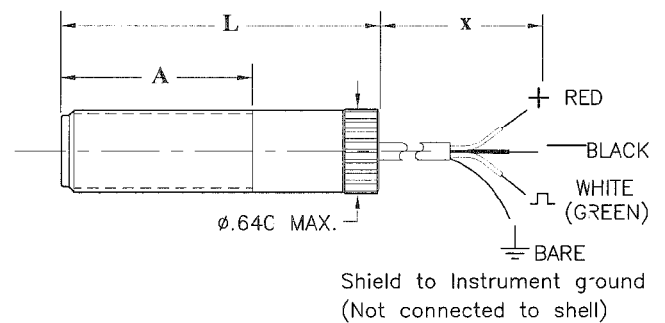
OTHER OPTIONS

For custom configurations, special threads, connectors, etc... please contact sales.

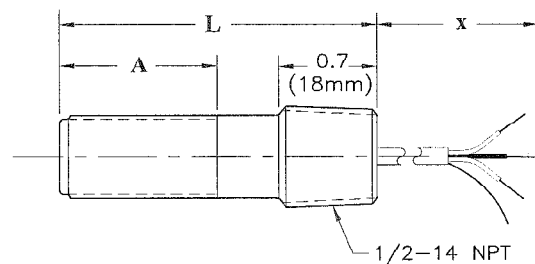
0096



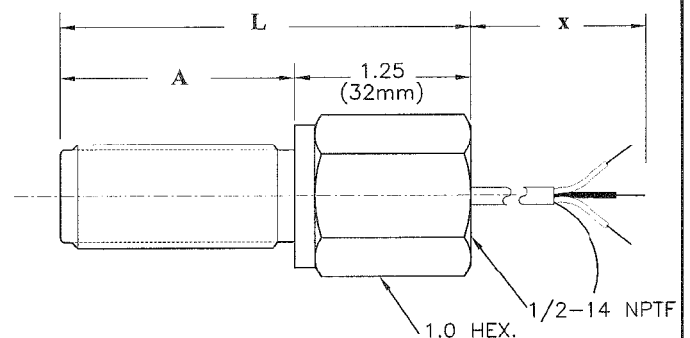
0095



0095X



0095Y

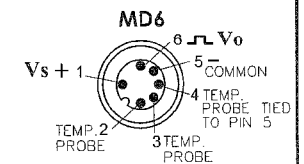
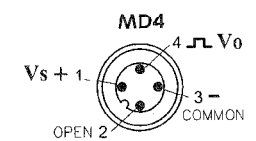
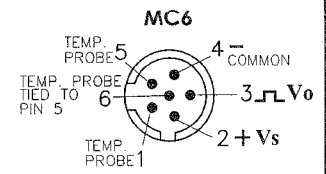
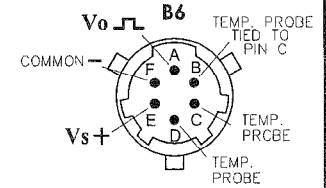
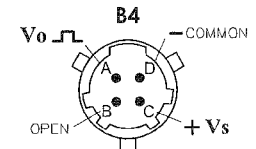
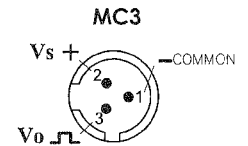
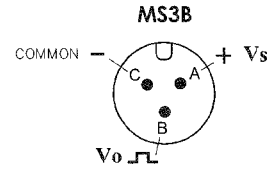
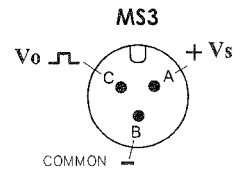


ORDER INFORMATION

0096 - 0 • 0 • 0 • 0 • 0 DIGISPEC RF PICKUP, 5/8-18 (CONNECTOR TYPE)

Housing & Thread Length in. (mm)	1	A	L
	2	1.75" (45mm)	3.0" (76mm)
	3	3.0" (76mm)	4.1" (104mm)
	4	3.5" (89mm)	4.6" (117mm)
	5	4.0" (101mm)	5.1" (130mm)
Face	0	STD FACE (EPOXY SEALED FOR GREATER SENSITIVITY)	
	1	STAINLESS STEEL FACE (BLINDSHELL)	
	7	SANITARY NEMA 6, IP65 & IP67 CONSTRUCTION	
Vo/Vs	1	0 to 5 V, NPN (6 kΩ), Vs 7 to 30 VDC	
	2	0 to 10 V, NPN (6 kΩ), Vs 11 to 30 VDC	
	3	0 to Vs, NPN (6 kΩ), Vs 7 to 30 VDC	
	4	0 to Vs, NPN (OC), Vs 7 to 30 VDC	
	5	0 to Vs, NPN (OC), Vs 3.8 to 30 VDC	
	7	0 to Vs, NPN (6 kΩ), Vs 3.8 to 30 VDC	
	8	0 to 5 V, NPN (6 kΩ), Vs 3.8 to 30 VDC	
	Temp. Range	1	-40° to 248° F (-40° to 120° C)
2		-49° to 284° F (-45° to 140° C)	
A		-49° to 284° F (-45° to 140° C) with RTD 100Ω	
C		-40° to 248° F (-40° to 120° C) with NTC 10 kΩ	

- Connector
- 1 — MS3: MS3102-10SL-3P (3 PIN)
 - 2 — MC3: MICRO-C (3 PIN)
 - 3 — MS3B: MS3102-10SL-3P (3 PIN)
 - 4 — B4: MS3113-H8A-4P (4 PIN) (BAYONET - TWIST & LOCK TYPE)
 - 5 — B6: MS3111-H10A-6P (6 PIN) (BAYONET - TWIST & LOCK TYPE)
 - 6 — MC6: MICRO-C (6 PIN)
 - 7 — MD4: MICRO DIN (4 PIN)
 - 8 — MD6: MICRO DIN (6 PIN)



0095 - 0 • 0 • 0 • 0 • 0 DIGISPEC RF PICKUP, 5/8-18 (LEAD WIRE TYPE)

Housing & Thread Length in. (mm)	1	A	L
	2	1.75" (45mm)	2.5" (64mm)
	3	3.0" (76mm)	3.6" (91mm)
	4	4.0" (101mm)	4.6" (117mm)

or

	0095X Only		0095Y only	
	A	L	A	L
1	0.7" (18mm)	1.9" (48mm)		
2	1.3" (33mm)	2.6" (66mm)	1.9" (49mm)	3.2" (80mm)
3			2.8" (70mm)	4.0" (102mm)
4			4.0" (102mm)	5.3" (134mm)

SAME AS 0097

Lead Wire Length	x	Type	AWG
	1	1' (.3m)	STD. LEADS
2	2' (.6m)		
A	1.5' (.5m)	SHIELDED CABLE	24
6	2' (.6m)		
7	3' (1m)		
8	6' (2m)		
9	10' (3m)		

Note: For other model variations please contact sales.