

PRODUCT DESCRIPTION

The 4013 & 4014 family of preamps are designed to work with all RF (modulated carrier) pickups. They provide for remote signal conditioning and signal amplification, which allows for signal detection over a wide temperature range (cryogenic to 400°C depending on the RF pickup in use) as the pickup is capable of sustaining a wider temperature range than the preamp. The 4013 is designed to fit into a compact Y1 explosion proof junction box. We offer both the RF4 (Cox) and RF10 (FTI) types together with various output options to best suit specific applications. For RF pickups with integral preamp refer to Digispec 0095 to 0098 family of sensors.

SPECIFICATIONS

RF Pickup types:

RF4 (4 Ω, 0.450 mH)
RF10 (12 Ω, 1 mH)

Sensitivity:

STD (Low) ~ 0.3 to ≈4000Hz
HS (High) ~ 1 to ≈6000Hz
(depending on target mass & distance)

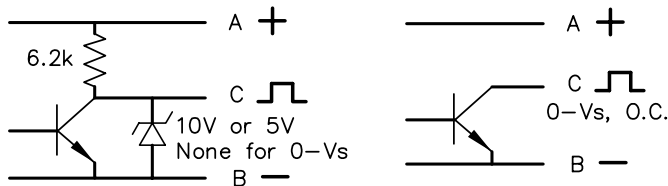
Temperature Range

4013 & 4014: -40° to 220° F (-40° to 105° C)
4014x-xx-3TE: -49° to 284° F (-45° to 140° C)

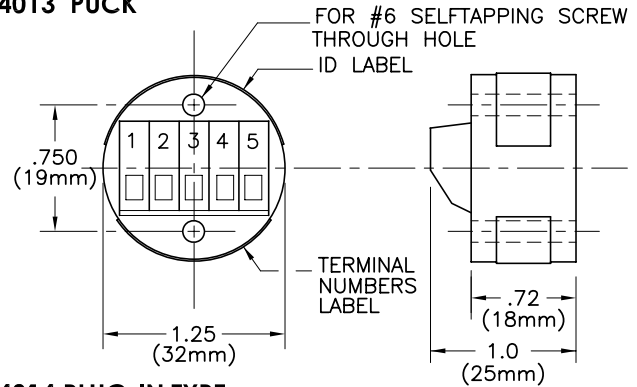
Compliance:

CE: EN55011, EN50022-2

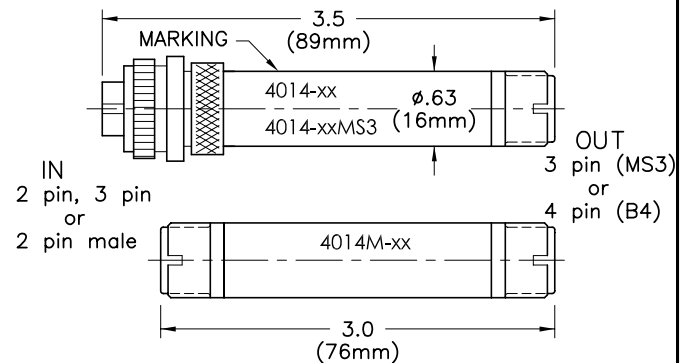
OUTPUT CONFIGURATIONS



4013 PUCK

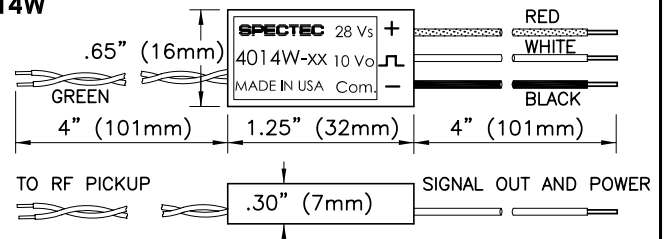


4014 PLUG-IN TYPE



4014H IN-LINE TYPE

4014W



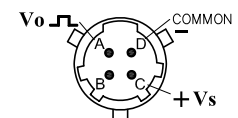
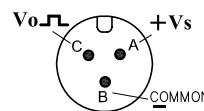
TERMINAL/PIN CONNECTIONS

4013: 1. Vs Supply 4. RF Pickup
2. Common 5. RF Pickup
3. Vo Signal Out

4014: Output Pin Connections

3 Pin (MS3)
Mate MS3106A-10SL-3S

4 Pin (B4)
Mate MS-3116-F8-4S



OPTIONS

For Junction Boxes and adapter hardware, Explosion proof UL & CSA certified, see spec. 4001
For connector cable assemblies, please see spec. 3000 (MS3) or 3001 (B4)
Other options: Please contact sales.

Model Variations:			RF Preamp P/N	
Sensitivity	Supply Voltage Vs	Signal Output Voltage Vo	RF4	RF10
STD	11.5 - 30 @ ≤ 16 mA	0 - 10	-01	
	7 - 30 @ ≤ 10 mA	0 - 5 (TTL)	-04	
		0 - Vs, OC	-10	
	3.3 - 30 @ ≤ 15 mA	0 - 10	-11	
		0 - 5 (TTL)	-12	
		0 - Vs	-13	
0 - Vs, OC		-16		
HS	11.5 - 30 @ ≤ 16 mA	0 - 10	-20	-50
		0 - 10 (50 kHz)	-21	-51
		0 - 5 (TTL)	-23	-53
		0 - 5 (50 kHz)	-24	
		0 - Vs	-27	-57
		0 - Vs, OC	-30	-60
		0 - Vs, NPN/PNP	-31	-61
		0 - 12	-32	