

PRODUCT DESCRIPTION

The PA 20 D/A converter has been configured to fit a compact "Y3" explosion proof enclosure. Input and output configurations are field selectable to fit most applications. ZERO and SPAN adjustments make it easy to calibrate to almost any measurement range, with little interaction between the adjustments. The converter will accept frequency input from any mag pickup or digital pickup (digital mag, RF, Hall effect, zero speed, "smart" etc...)

SPECIFICATIONS

Vs, Supply Voltage: 9.0 VDC Min. 0-5Vout, FTV
11.0 VDC Min. 0-10Vout, FTV
38.0 VDC Max.

Input Protection: 50 VAC, reversed leads

Output Protection: Short to + VDC, Common or Signal out Continuous

Frequency Input Range: F Hi: Adjustable full scale:*
1100 Hz to 10 kHz
F Lo: Adjustable full scale:*
75 Hz to 1100 Hz

Input Sensitivity: Mag: 50 or 100 mVpp
Digital: 0 - Vs (50 V max.) TTL

Output Settling Time: Full scale change to 95%
of final value 180mS.

Output Ripple & Noise: 5 mVp-p, <2 mVrms, 5% of FS

Temperature Coefficient: 25° to 40° C,
0.13% / °C, On 10 V range

Operating Temp. Range: -40 to 70° C (-40 to 160° F)

ZERO/SPAN Adjustment Interaction < 1%

Terminal Connections:

- 1. Input VDC
- 2. Common
- 3. Signal Out
- 4. Mag Pick-up
- 5. Mag Pick-up
- 6. Digital Signal Input

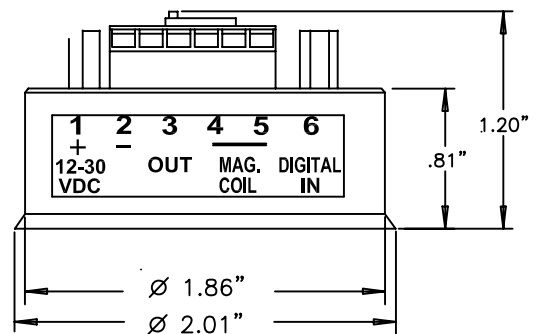
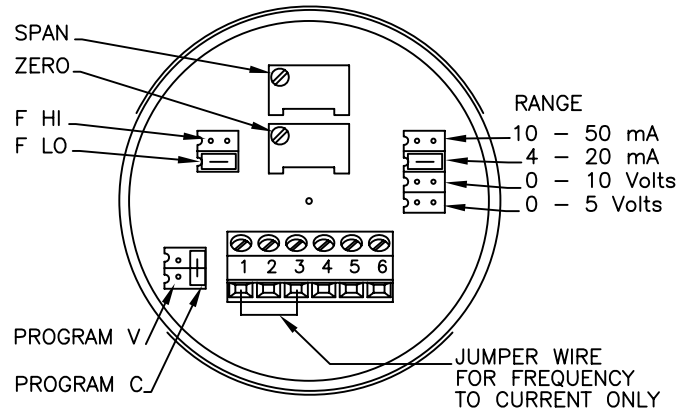
Wiring Options: (See page 2)

CE-Compliance: EN55011, EN50022-2

PART NUMBERS

4026-01: 50 mVpp Mag and universal Digital input
4026-02: 100 mVpp Mag and universal Digital input

Explosion proof junction boxes: 90010-03 Y3
90012-03 ELBY 100
For junction boxes & adapters see spec. 4001



VOLTAGE MEASUREMENT SPECIFICATIONS		
	0 - 5 V Range	0 - 10 V Range
Vout min, Freq. input=zero Hz at full scale max freq. cal.	5.1 mV	10.5 mV
Vout min at full scale min freq. cal.	21 mV	43 mV
Vout max at Vsupply = + 12Vdc	6.8 V	11.3 V
Vout max at Vsupply = + 24Vdc	6.8 V	13.7 V
Minimum Load Resistance	50 Ω 1/2 W	100 Ω 1 W
Maximum Load Resistance	Open	Open

CURRENT MEASUREMENT SPECIFICATIONS		
3 WIRE OUTPUT VERSION	4 - 20 mA Range	10 - 50 mA Range
Minimum Output Current	0.07 mA	0.19 mA
Maximum Output Current, (Full Scale Min. Cal., Zero Cal. Set to 4 mA and 10 mA)	24.1 mA	61.2 mA
Load Resistance < (+ V -6V)/Full Scale output		
+V = 12V	< 300 Ω	< 120 Ω
+V = 24V	< 900 Ω	< 360 Ω

4026 FTC/FTV CONVERTER: WIRING OPTIONS

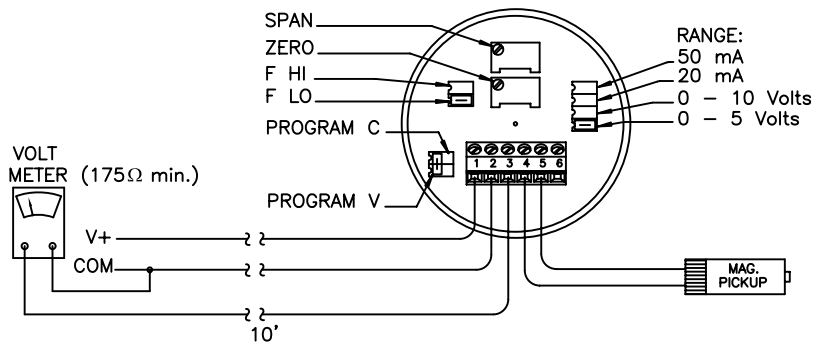
VOLTAGE MEASUREMENT 1 (3 wire)

JUMPER POSITIONS:

RANGE: 0 - 5 V or 0 - 10 V

PROGRAM: V

FREQ.: F HI
F LO



VOLTAGE MEASUREMENT 2 (3 wire)

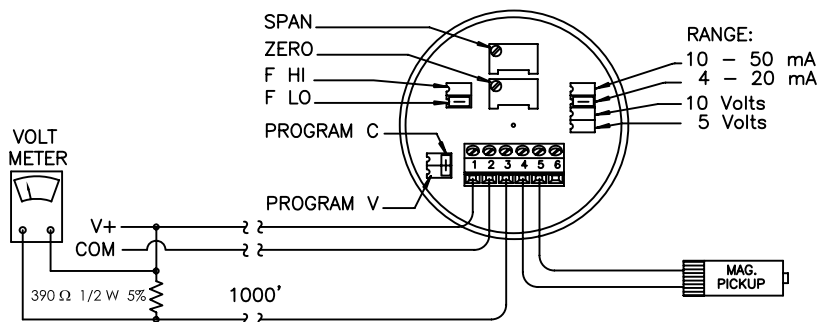
FOR USE WITH LONG WIRE RUNS
RESISTANT TO LINE LOSSES & EMI

JUMPER POSITIONS:

RANGE: 50 mA for 0 to 10 V
20 mA for 0 to 5 V

PROGRAM: C

FREQ.: F HI
F LO



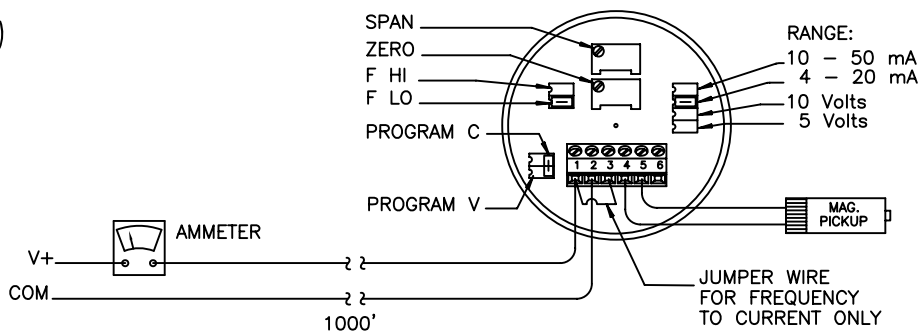
CURRENT MEASUREMENT 1 (2 wire)

JUMPER POSITIONS:

RANGE: 10 - 50 mA or 4 - 20 mA

PROGRAM: C

FREQ.: F HI
F LO



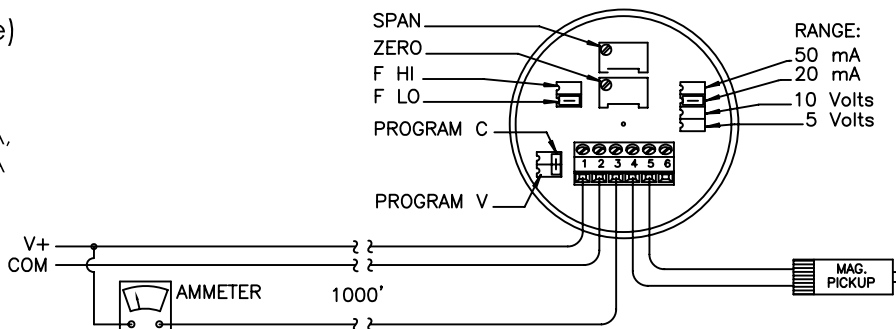
CURRENT MEASUREMENT 2 (3 wire)

JUMPER POSITIONS:

RANGE: 0 - 50 mA or 10 - 50 mA,
0 - 20 mA or 4 - 20 mA

PROGRAM: C

FREQ.: F HI
F LO



CURRENT MEASUREMENT W/ DIGITAL INPUT

JUMPER POSITIONS:

RANGE: 0 - 50 mA or 10 - 50 mA,
0 - 20 mA or 4 - 20 mA

PROGRAM: C

FREQ.: F HI
F LO

